

# SIERRA DESIGNS

## VELOX 3



**Your Sierra Designs  
VELOX 3 tent is very  
easy to pitch and maintain.  
Follow these instructions  
to pitch your tent quickly,  
safely and easily.**

### VELOX 3 TENT CONTENTS

Tent Body & Rainfly:	1	Pole Sack:	1
Tent Poles:	2	Stake Sack:	1
Tent Stakes:	6*	Pitching Instructions:	1
Guy Cord:	4		

\* Sierra Designs tents include stakes for pitching the body and fly under normal conditions. Additional stakes may be required in severe conditions.

### First Pitch

In order to familiarize yourself with your new tent, we suggest that you “test pitch” it before embarking on a wilderness adventure.

### Select a Site

Look for a level spot that is protected from the wind to ensure your sleeping comfort. Clear the area of debris such as sharp stones and sticks which might abrade or puncture the tent floor. Also, choose an area that will drain well when it rains.

### Unfurl the Tent and Assemble the Poles

Unfurl the tent and lay it flat on the ground with the doors unzipped. Next, carefully unfold the shock corded pole sections and allow them to slip together. Do not let them snap together as this could cause pole damage. (Figure 1) You will have one main pole where all sections are connected by the Sierra Designs Quick Pitch Swivel Hub with H-clip (Figure 2) and one short brow pole. Each of the longer poles will have a pre-bent section at the end for more interior space.

### Stake out the Tent Floor

The *Velox 3* is a completely freestanding tent and it is not necessary to stake down the tent floor in order to pitch it. However, we recommend that the tent be staked down at points A, B, C, and D (Figure 3) for stability, especially in high winds.

### Erect the Tent

Insert one of the metal tips of the two long poles into the grommets at points A and D, then the tips of the other pole into the



grommets at points B and C. Next, hook the center H-clip to the Quick Pitch Swivel Hub connector at point E (Figure 3). Next, follow the tent seams along the A-D and B-C axis and attach all of the Swift Clips™ to their corresponding tent poles.

### Fly Sheet

Drape the fly sheet over the tent and position the vestibule doors over the tent doors. Make sure that the blue side-release “fly clip” buckle strap matches with the corresponding blue floor side-release buckle attachment. First, attach the fly sheet to the tent poles with the Velcro® loops on the underside of the fly at points F, G, H, and I (Figure 4). At points A, B, C, and D there are 3/4” side-release “fly clip” buckles. Clip these buckles into their corresponding mates on the tent floor and pull the straps until the fly is semi-taut and evenly covering all the mesh areas of the tent. Now, with the vestibules zipped shut, pull out points J and K until the vestibules are semi-taut and stake them down in that position. Now, slide the short brow pole into its sleeve at point L (Figure 4) and insert the tip of the brow pole in the grommet tab at that same point. Then, pull the rest of the fly sheet straps so they are fully taut and there is proper coverage of all exposed mesh areas of the tent.

### Ventilation

Proper ventilation is essential for creating a comfortable living space inside your tent. One or both of the vestibule doors can be rolled up and secured open for maximum ventilation depending on the weather. They can also be unzipped from the top down which allows you to use the vestibule as a vent when rain maybe a factor. Pitching your tent so that it is oriented to take advantage of the wind direction will also go a long way to providing a comfortable nights sleep no matter what the weather.

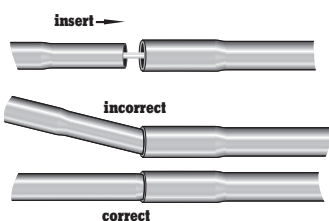


Figure 1: Correct Pole Assembly

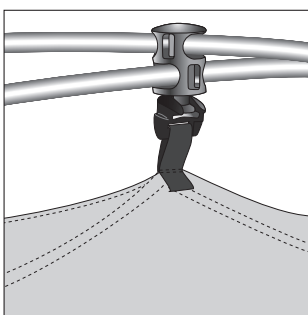


Figure 2: Quick Pitch Swivel Hub w/ H-clip (side view)

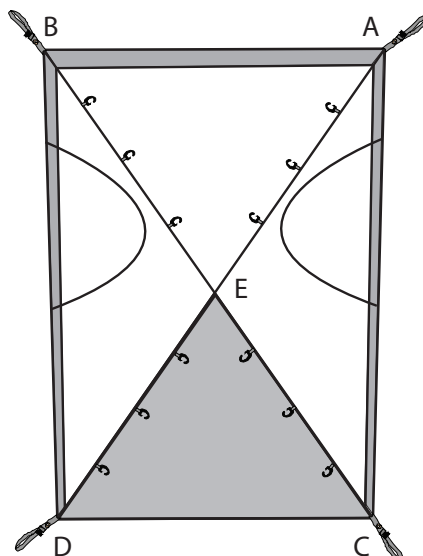


Figure 3: Tent Body (top view)

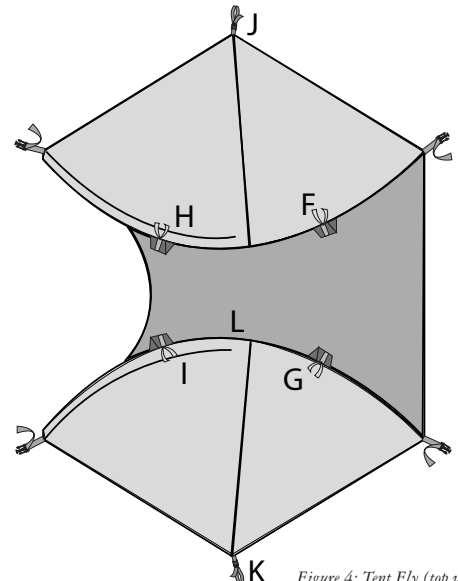


Figure 4: Tent Fly (top view)