

Jake's Corner™ Arch Support Technology (AST)

Jake's Corner is a fully removable element that strengthens the pole structure of your tent.

As part of Sierra Design's *Arch Support Technology (AST)*, the key to the success of *Jake's Corner* is its ability to support and brace the tent's long arch poles.

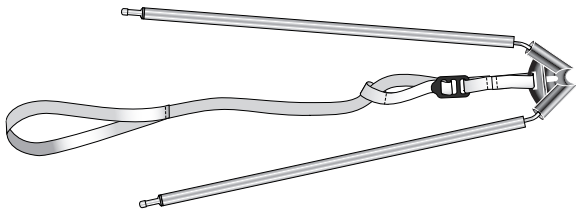


How to Attach Jake's Corner™

Note: To remove, follow these steps in reverse.

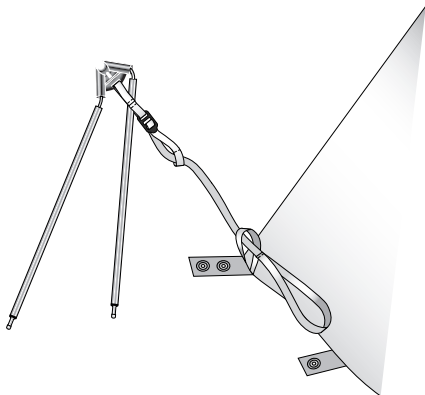
1.

Pull poles out of sockets. It is not necessary to remove them entirely.



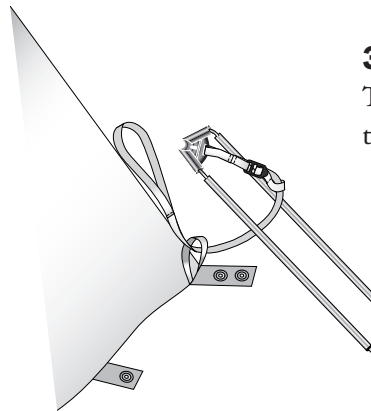
2.

Insert looped end of *Jake's Corner* webbing strap into the orange hitch loop on the stake pull-out.



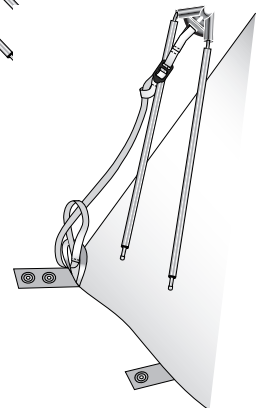
3.

Thread plastic piece through looped end.



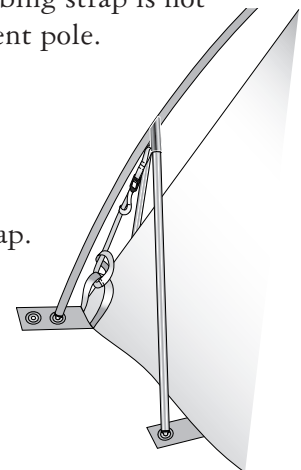
4.

Pull through.



5.

Insert poles back into their sockets in the plastic piece. Insert poles tips into grommets, making sure the webbing strap is not twisted around the tent pole.



6.

Tighten webbing strap.



How It Works

Jake's Corner™ increases a tent's ability to withstand high winds without adding heavy structural support. High winds cause a tent's poles to pivot on their tips, forcing them to the ground and collapsing the tent. *Jake's Corner* braces the tent poles low to the ground, making rotation impossible.

Effective Use

It is recommended that you attach or remove *Jake's Corners* from your tent before your camping trip begins,

to avoid losing any of the pieces.

The tightening strap on each *Jake's Corner* only has to be a bit taught in order for it to function properly. **DO NOT OVERTIGHTEN.** Doing so can cause the ladderlock buckle to be overstressed.

Caring For Your Jake's Corner

The webbing and poles should be dry and clean before storing. Do not machine wash or dry the webbing strap or poles (or the tent).