

BEDOUIN ANNEX 4+2



Your Sierra Designs BEDOUIN ANNEX 4+2 tent is very easy to pitch and maintain. Follow these instructions to pitch your tent quickly, safely and easily.

BEDOUIN ANNEX 4+2 TENT CONTENTS

Tent Body and Rainfly: 1	Pole Sack: 1
Tent Poles: 5	Stake Bag: 1
Tent Stakes: 11 *	Pitching Instructions: 1
Guy Cords: 4	

* Sierra Designs tents include stakes for pitching the body and fly under normal conditions. Additional stakes may be required in severe conditions.

First Pitch

In order to familiarize yourself with your new tent, we suggest that you "test pitch" it before embarking on your wilderness adventure.

Select a Site

Pitch the tent on a level area that is protected from wind and shaded from the sun, if possible. Clear the area of debris such as sharp stones and sticks that might abrade or puncture the tent floor. Also choose an area that will drain well if it should rain.

Assemble the Poles

The *Bedouin Annex 4+2* comes with 3 slightly pre-bent long poles and 2 short "V" shaped brow poles (Figure 1). Carefully unfold the shock corded pole sections and allow them to slide together. Do not let the poles snap together as this can damage them. Now,



make certain that each pole section is fully inserted into the next section (Figure 2). Failure to do so will cause your poles to crack.

Lay Out Tent Body

Unfold the blue and white tent body and spread the tent out with the white canopy fabric facing up and try not step on the tent while erecting it. Now, spread out the tent floor and locate all six of the stake loops. The two royal blue stake loops are points C and D and will make erecting the tent easier if the blue Fly Sheet buckles correspond with the blue tent body buckles (Figure 3).

Stake Out the Tent

Although the *Bedouin Annex 4+2* is a completely free standing tent, always stake out the floor for greater safety, especially in windy conditions. First stake out the tent floor at points A and B (Figure 3). Then pull out the stake loops at points C and D until the tent floor is taut, and then move to the back of the tent at points E and F staking these points down as well. Drive the stakes into the ground at an angle where the head of the stake is pointing away from the tent itself (Figure 4).

Pole A:
Slightly Pre-bent Pole (3)

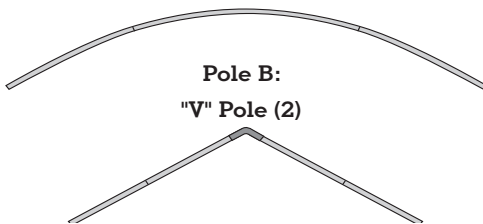


Figure 1: Tent Poles

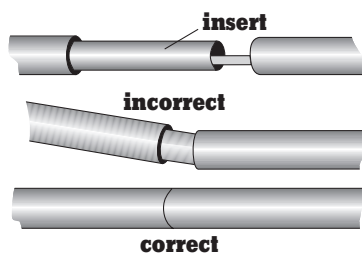


Figure 2: Correct Pole Assembly

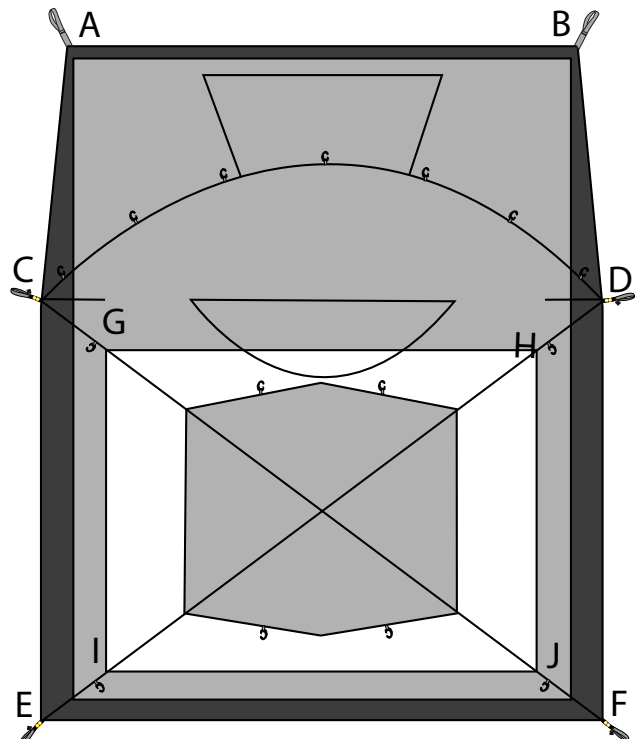


Figure 3: Tent Body (top view)

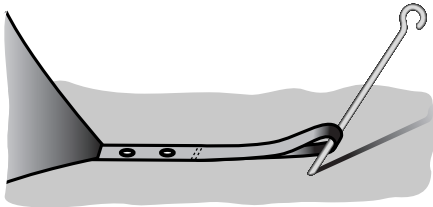


Figure 4: Stake Loops

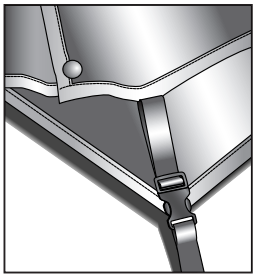


Figure 6: Fly Clip

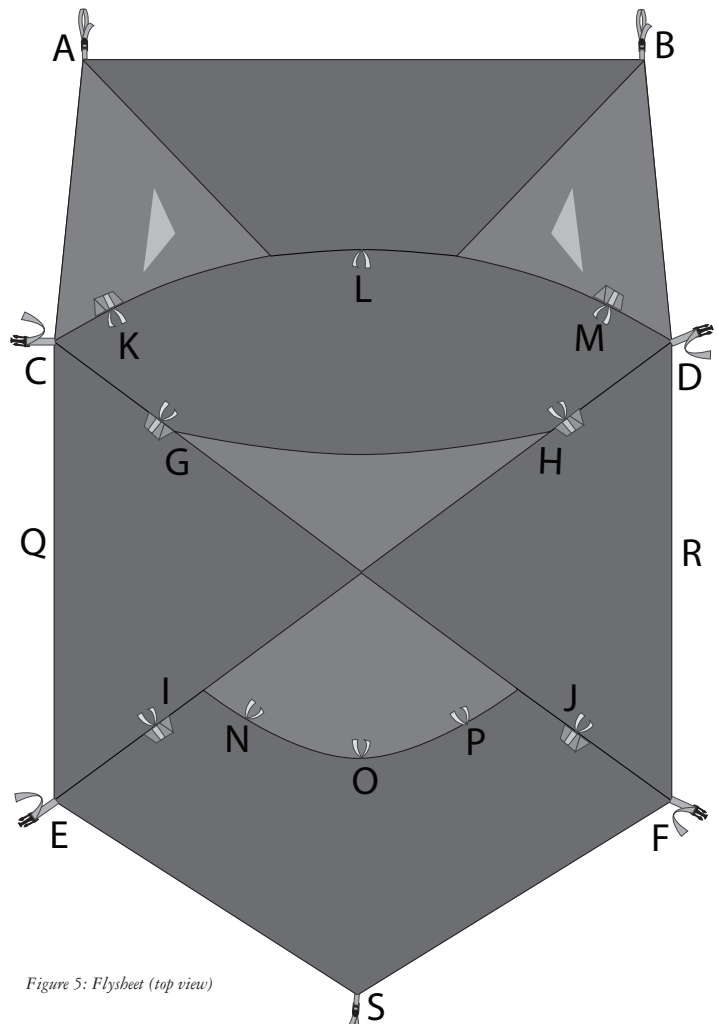


Figure 5: Flysheet (top view)

Thread the Poles Sleeves and Erect the Tent

There are two pole sleeves on the *Bedouin Annex 4+2*, running between the C-F and D-E axis. The pole sleeves start mid way between the stake loops and the top of the tent at points G and H (Figure 3). Insert the poles into the pole sleeves, with the ends of the poles protruding equal distances on both ends. Once the two long, slightly pre-bent poles have been threaded into their sleeves, arrange the tent body again so you can see all six stake loops. *Please note:* to help push the poles into their sleeves, grab the stake loop with one hand and the pole in the other, then pull the stake loop towards the pole tip while pushing the pole into its arched position and repeat for the other pole/pole sleeve. Now, working with one pole at a time, insert one pole tip into the back stake loop grommet at point F, then push the pole from the opposite side into its arched position and insert the other pole tip into the back stake loop grommet at point C. Once the main tent body has been erected, walk around and clip all of the Swift Clips to the main tent body poles along the C-F and D-E axis. You now have one long slightly pre-bent pole and two brow poles left. Working with one "V" shaped brow pole at a time insert the pole tips into the grommets located at points G and H. Next attach the Swift Clips to the brow pole and repeat this action for the second "V" shaped brow pole at points I and J. Now that the main tent body is erect, insert the remaining long, slightly pre-bent pole into the outside grommets at points C and D and connect the remaining front room Swift Clips to the pole for proper setup and coverage.

Attaching the Fly Sheet

The blue and grey fly sheet shelters the tent body from rain, wind, and sun (Figure 5). The outside of the fly has a flat finish and has a Sierra Designs logo on it. The inside of the fly has a shiny polyurethane finish. Drape the fly over the tent and arrange it so the royal blue fly attachment is aligned with the royal blue stake loop on the tent, which is located at point B. Attach the fly to the tent poles via Velcro® loops at points G, H, I, J, K, L, M, N, O, and P. At each pole end, points A, B, C, and D, there are 1" side-release "Fly Clip" buckles. Clip these buckles into their corresponding mates on the tent stake loops and pull the straps until the fly is taut. By clipping the blue webbing strap on the fly sheet to a blue webbing strap on the body, you are guaranteed a fast, proper fly sheet setup every time. Try to align the seam lines on the fly with the poles underneath. For maximum stability in high winds, guy out the tent at points G, H, I, J, K, and M.

Ventilate the Tent

Besides staking and guying all the points mentioned before, there are a variety of ventilation options available for the *Bedouin Annex 4+2*. The full-coverage fly can be changed into a partial-coverage fly that covers only the top half of the tent. To do this, unclip the 4 side "Fly Clip" buckles and roll up the fly sheet and secure it with the clips below points G, H, I, and J on the underneath side of the fly sheet. By doing this you are allowing air to pass through the mesh on the bottom half of the tent. Also, if you roll back both doors on the ends of your fly sheet this will increase the ventilation as well.