

SIERRA DESIGNS

Baku



Your Sierra Designs BAKU tent is very easy to pitch and maintain. Follow these instructions to pitch your tent quickly, safely and easily.



BAKU TENT CONTENTS

Tent Body w/ Integrated Fly:	1	Pitching Instructions:	1
Tent Poles:	3	Pole Sack:	1
Tent Stakes:	5*	Stake Sack:	1
Guy Cord:	4		

* Sierra Designs tents include stakes for pitching the body and fly under normal conditions. Additional stakes may be required in severe conditions.

First Pitch

In order to familiarize yourself with your new tent, we suggest that you "test pitch" it before embarking on a wilderness trip.

Select a Site

Look for a level spot that is protected from the wind in order to ensure sleeping comfort. Clear the area of debris such as sharp stones and sticks which might abrade or puncture the tent floor. Choose an area that will drain well when it rains.

Unfurl the Tent and Assemble the Poles

Unfurl the tent and lay the tent floor flat on the ground with the door unzipped. Carefully unfold the shock corded pole sections and allow them to slide together. Do not allow the poles to snap together: This can lead to serious pole damage. Make certain that the insert of each pole section is fully inserted into the next pole section (Figure 1). You will have two poles of equal length and one short pole. Each of the longer poles will have two pre-bent sections at the end of each pole (Figure 2).

Stake out the Tent Floor

Although the Baku is a freestanding tent, we suggest that you always stake out the floor for greater safety and stability, especially in high winds. First stake the webbing loops at points A & B (Figure 3). Then move to the opposite side of the tent, pulling the webbing loops at corners C & D until the tent is squarely and tautly positioned, and then stake down.

Erect the Tent

Insert the metal tips of one of the long poles into the grommets at points A & D, and the tips of the other pole into the grommets at points B & C. Pull the two poles up so that they intersect at the center of the tent. Next, position yourself in the open doorway and hook the Clip-Loc over the widest angle of this intersection (do not attach the bungeecord yet). Following the tent seams between A & D, and B & C attach all of the Swift Clips to their corresponding tent poles. Now take the remaining short pole and thread it between the two main poles at the apex of the tent and insert the tips into the grommets at points E & F (Figure 3). Now attach the bungee cord on the Clip-Loc at the apex of the tent by wrapping the bungee in the direction crossing the open gate of the clip. Wrap the cord around the pole intersection 2 to 4 times, depending on desired firmness, then slide the cord into the groove on the backside of the clip to keep it taut (Figure 4).

Vestibule Section

Because the Baku has an integrated vestibule there is no separate rainfly. To complete the set-up pull out point G (Figure 5) until taut and then stake out. For increased stability and strength in high winds, points H, I, J, & K, can be guyed out.

Ventilation

Proper ventilation is essential for creating a comfortable living space inside your tent. The vestibule door panel can be rolled away for maximum ventilation. In addition to the above the Baku has been built with two vents, one on each side of the tent, and a mesh panel on the back door. By opening these vents and using the zipper at the top of the vestibule you can regulate the ventilation.

Figure 1: Correct Pole Assembly

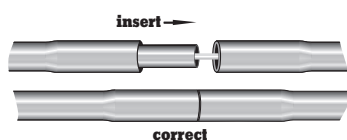


Figure 2: Tent Poles

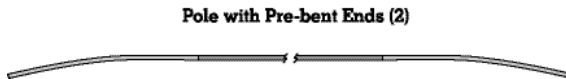


Figure 4: Clip-Loc

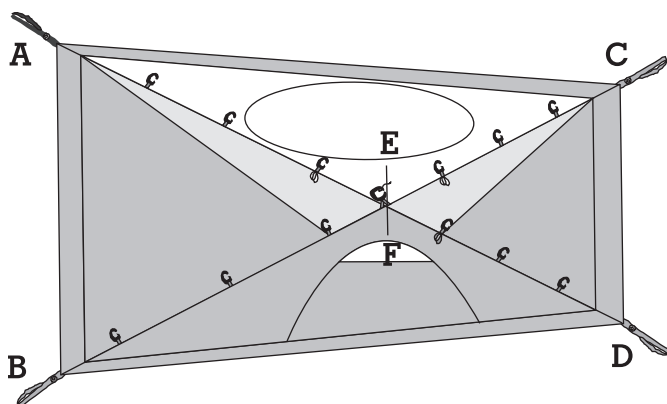
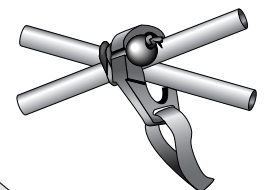


Figure 3: Tent Body (top view)

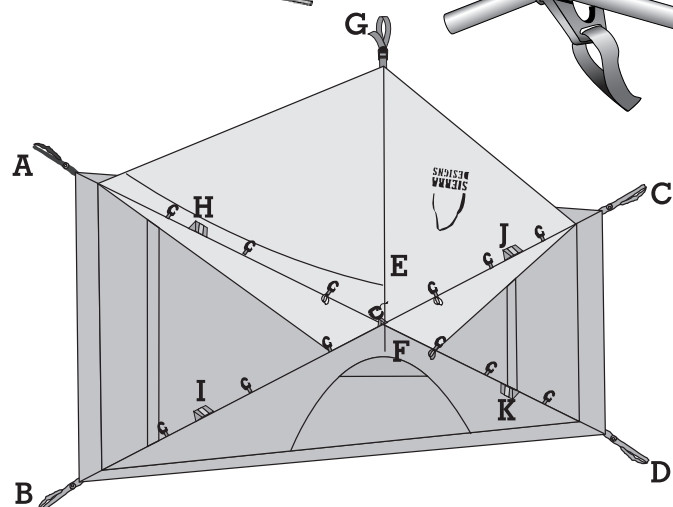


Figure 5: Tent Fly (top view)