

SIERRA DESIGNS

MACH 1



Your Sierra Designs MACH 1 tent is very easy to pitch and maintain. Follow these instructions to pitch your tent quickly, safely and easily.

MACH 1 TENT CONTENTS

Tent Body & Rainfly:	1	Pitching Instructions:	1
Tent Poles:	3	Stake Sack:	1
Tent Stakes:	7*	Pole Sack:	1
Guy Cords:	2		

* Sierra Designs tents include stakes for pitching the body and fly under normal conditions. Additional stakes may be required in severe conditions.

First Pitch

In order to familiarize yourself with your new tent, we suggest that you “test pitch” it before embarking on a wilderness trip.

Select a Site

Look for a level spot that is protected from the wind in order to ensure sleeping comfort. Clear the area of debris such as sharp stones and sticks which might abrade or puncture the tent floor. Choose an area that will drain well when it rains.

Assemble the Poles

The Mach 1 tent comes with 3 pre-bent poles, 1 long and 2 short of equal length. Carefully unfold the shock corded pole sections and allow them to slide together. Do not allow the poles to snap together: This can lead to serious pole damage. Make certain that the insert of each pole section is fully inserted into the next pole section (Figure 1).

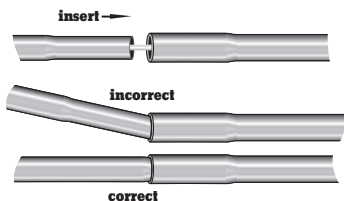


Figure 1: Correct Pole Assembly

Layout the Tent

Spread the tent body out with the mesh fabric facing up. Do not step on the tent while setting it up. Once the tent floor is spread out locate the 5 stake out points A, B, C, D, & E.

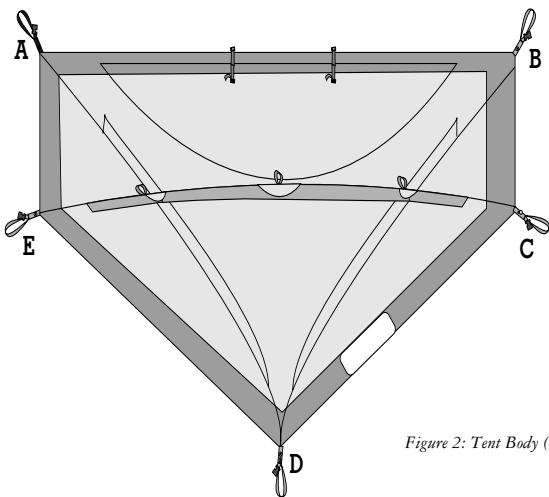


Figure 2: Tent Body (top view)

Thread the Poles through the Pole Sleeves

There are three pole sleeves on this tent, running from D-B, D-A, C-E. The sleeves start very near the stake loops, right above the tan tent floor fabric. The two shorter poles run from points D-A, and D-B. The longer pole runs from C-E.



Insert the poles into the pole sleeves, with the ends of the poles protruding equal distances on both ends of the pole sleeves.

Erect the Tent

Once all the poles have been threaded into the sleeves, arrange the tent body again so that you can see all five stake loops. First insert the pole tips of the two shorter poles into the grommets located at point D. Now, working with the longer pole insert one tip into its stake loop grommet (Point C or E), and then push the pole from the opposite side into its arched position. To help push the pole into an arch, grab the stake loop in one hand and the pole in the other. Pull the stake loop towards the pole tip, while pushing the pole into its arched position. Repeat this process for the two shorter poles.

Stake Out the Tent Floor

Use the tent stakes to make the floor taut and secure to the ground. First stake out the tent at points D, A, & B. Then pull out the stake loops at points C & E until the tent floor is taut and then stake these points down. Drive the stakes into the ground at an angle away from the tent.

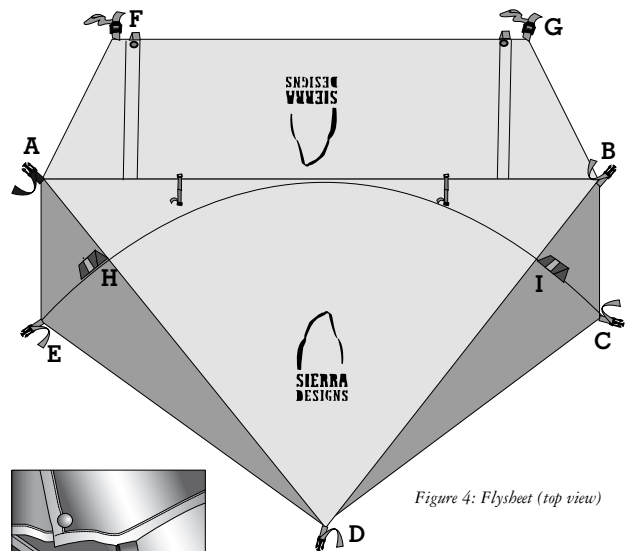


Figure 4: Flysheet (top view)

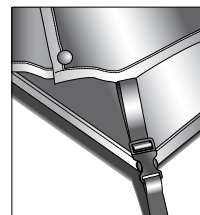


Figure 5: Fly Clip

Flysheet

Drape the flysheet over the tent and position the zippers so over the tent door. You will find $\frac{5}{8}$ " side release buckles “Fly Clips” at points A, B, C, D, & E on the rainfly that correspond with the same points on the tent body. By first clipping the blue webbing strap on the rainfly to the blue webbing strap on the tent body, you are guaranteed a fast and proper rainfly setup every time. Next pull out points F & G until the vestibule is squarely and evenly taut, and then stake it out. Guying out points H & I is optional, but can increase ventilation, as well as, increase the strength of the tent in high wind conditions.